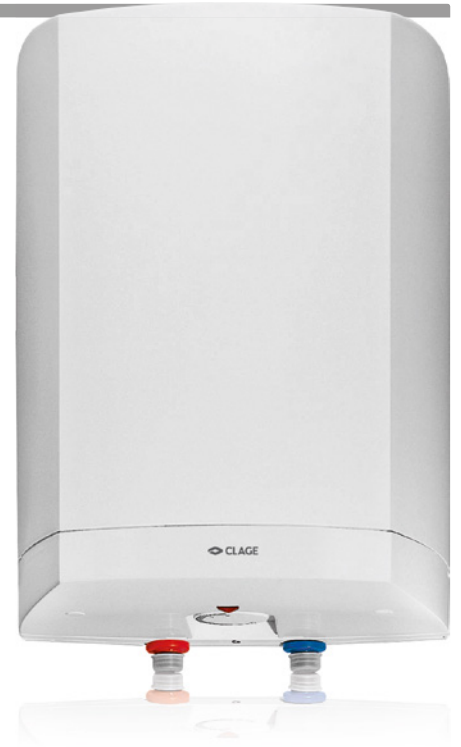


# 30 litres storage water heater S30



## Application areas

Single or multiple point supply:

> Shower



> Shower and washbasin



# 30 litres storage water heater

## S30

### Product information

Energy efficiency class  <b>S30</b>	
Part number:	4100-43800
Content [litres]:	30
Type; maximum operating pressure [MPa (bar)]:	unvented <sup>1)</sup> ; 0,6 (6)
Water connections (thread connections):	G ½"
Temperature range [°C]:	≤ 75
approx. mixed water amount 40 °C <sup>2)</sup> [litres]:	60
Nominal power rating (kW):	2,0
Power supply [V]:	1~ / N / PE 230 V AC
Heating time $\Delta t = 45 \text{ K}$ <sup>3)</sup> [min]:	50
Standby power consumption at 65 °C [kWh / 24h]:	0,85
Internal tank:	Steel with special-enamelling
Function indicator:	✓
Single circuit operation:	✓
Protection class:	IP 25
Dimensions (height × width × depth) [cm]:	56,4 × 37,5 × 37
Power cable:	 with plug
approx. weight filled with water [kg]:	44

1) Optional installation with open-outlet tap 2) At a cold water temperature of 15 °C and a storage content temperature of 65 °C 3) Temperature increase e.g. from 15 °C to 60 °C

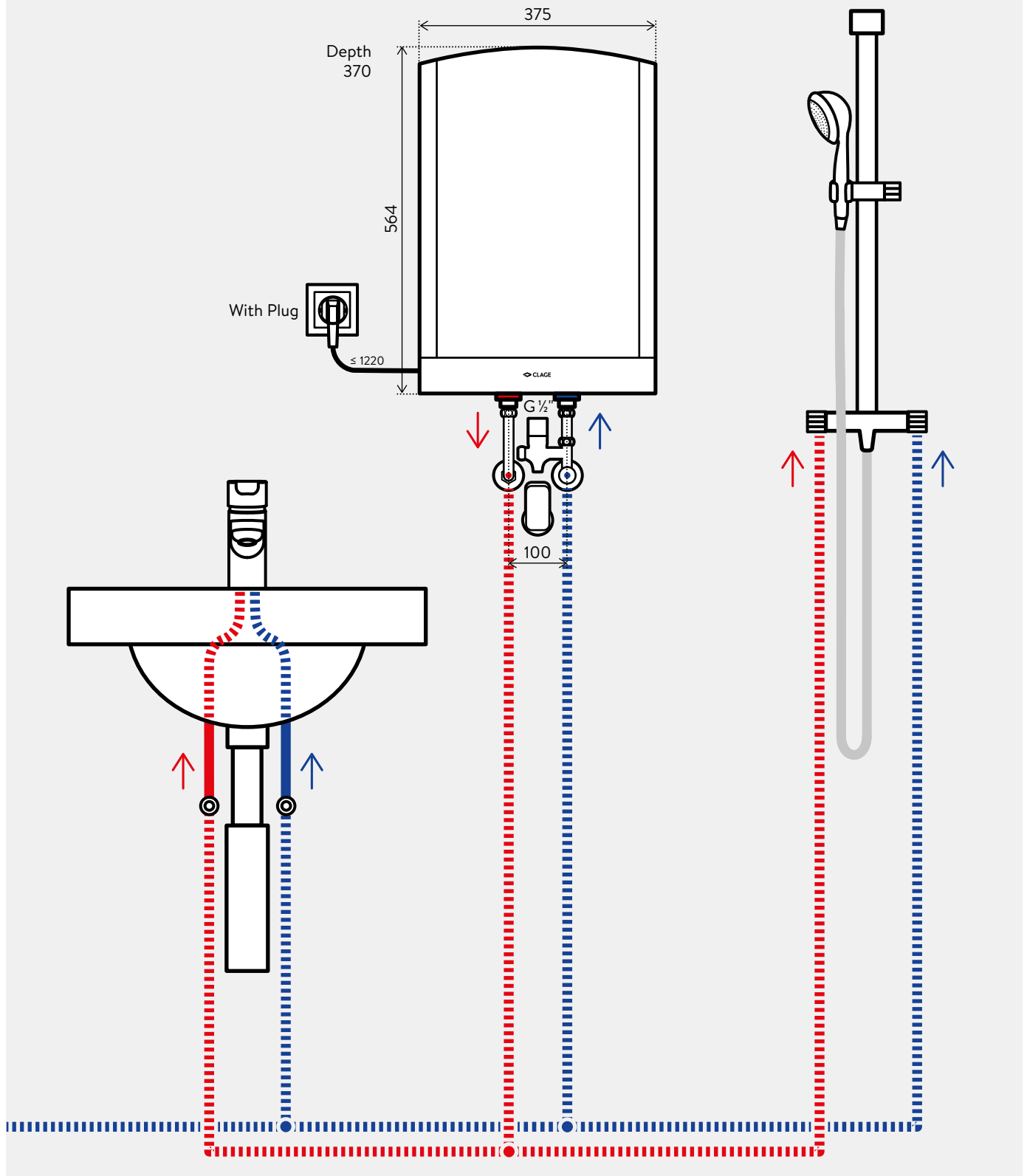
#### Description

- > Unvented 30 litre storage water heater for hot water supply at one or multiple points-of-use
- > Special-enamelled internal tank
- > For vented installation (with open-outlet tap) and unvented installation (with safety assembly)
- > Thermostat with overheating protection
- > Infinitely variable thermostat up to 75 °C
- > Corrosion protection by special enamelling and magnesium protective anode
- > PU hard foam insulation
- > Splash protection IP 25
- > Connecting cable with protective contact plug (~122 cm)

# 30 litres storage water heater S30 Installation

Assembly and operating instructions must be observed upon installation.

Dimensions in mm



## 30 litres storage water heater

### S30

#### Accessories

---



**SG** (optional)

Oversink safety assembly (6 bar) for closed outlet installation

**SG:** Part no. 4100-0011



**SGM** (optional)

Oversink safety assembly (6 bar) for closed outlet installation  
with pressure-reducing valve up to 10 bar

**SGM:** Part no. 4100-0012